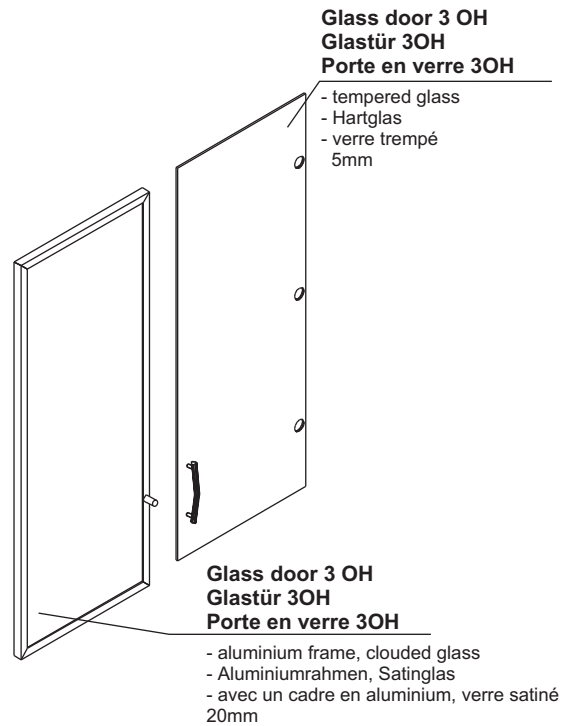
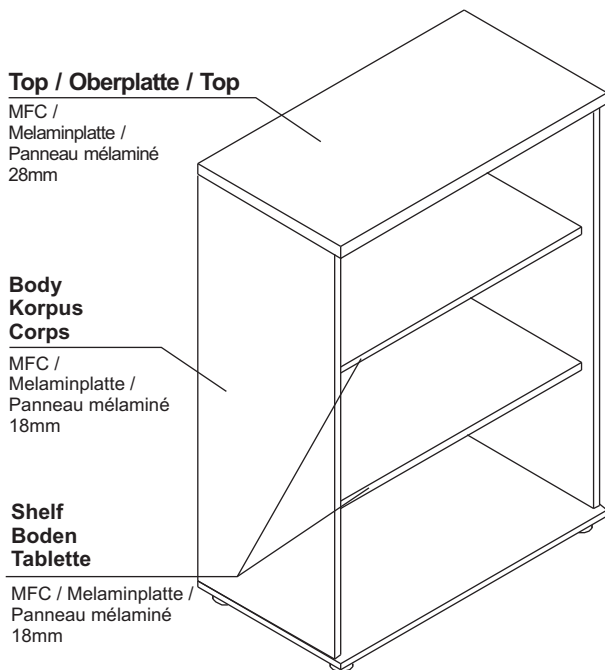
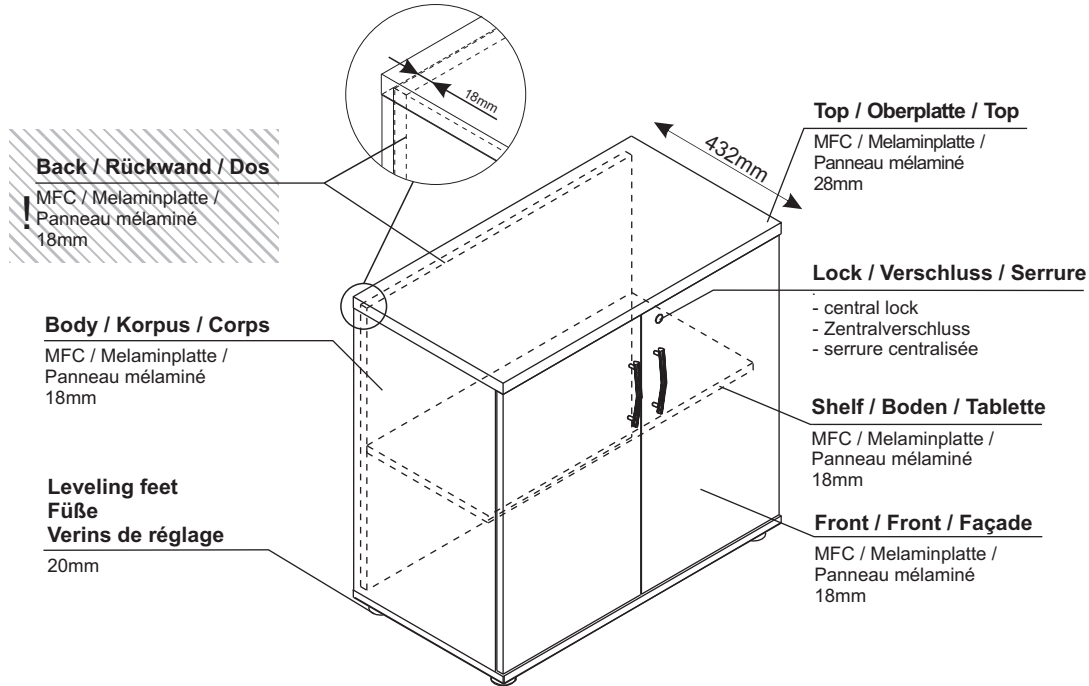




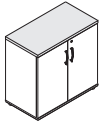
STORAGEES / SCHRÄNKE / RANGEMENTS



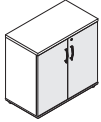


FINISHES / FARBEN / FINITIONS

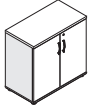
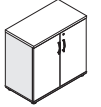
Top, Bottom panel / Oberplatte, Sockel / Top, Plinthe

14-BEECH BUCHE HETRE	26-ALUMINUM SATINATO ALUMINIUM SATINATO ALUMINIUM SATINE	31-CANADIAN OAK KANADISCHE EICHE CHENE CANADIEN	34-CHESTNUT WENGE WENGE	39-POLAR BIRCH POLARBIEKERKE BOULEAU CLAIR	64-COCOA COCOA CACAO	67-WHITE PASTEL WEIß PASTELL BLANC PASTEL	106-LOWLAND NUT NUSSBAUM NOYER	
----------------------------	--	---	-------------------------------	--	----------------------------	---	--------------------------------------	---

Front / Front / Façade

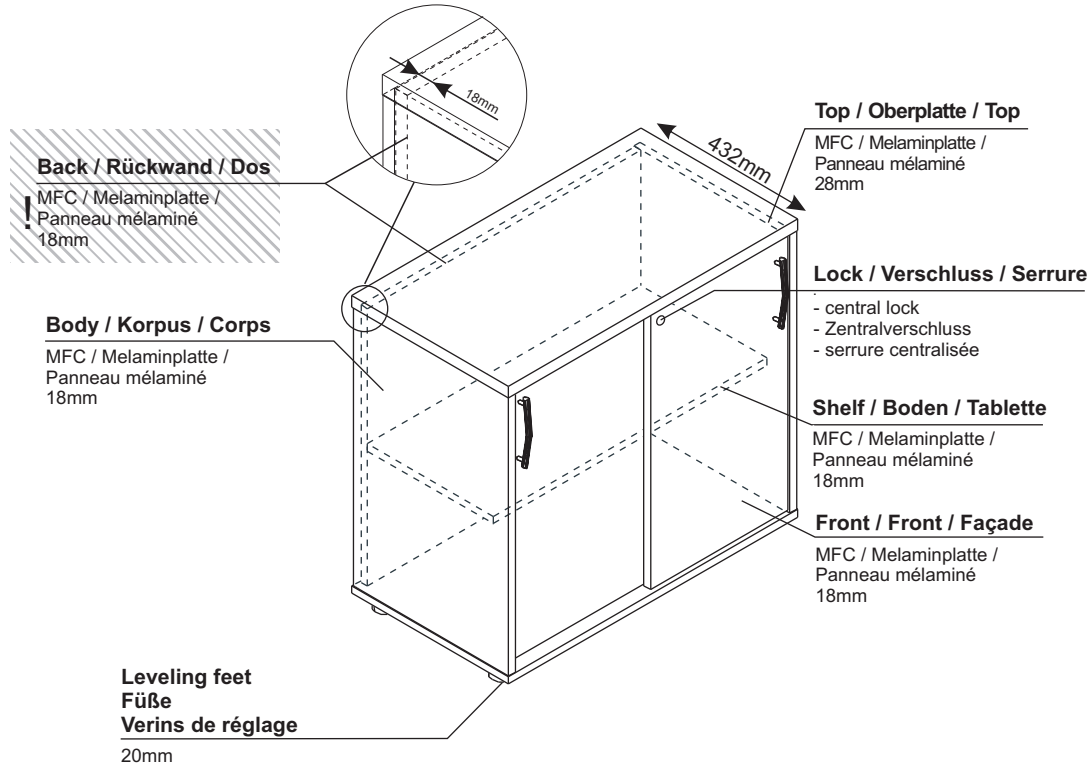
14-BEECH BUCHE HETRE	26-ALUMINUM SATINATO ALUMINIUM SATINATO ALUMINIUM SATINE	31-CANADIAN OAK KANADISCHE EICHE CHENE CANADIEN	34-CHESTNUT WENGE WENGE	39-POLAR BIRCH POLARBIEKERKE BOULEAU CLAIR	64-COCOA COCOA CACAO	67-WHITE PASTEL WEIß PASTELL BLANC PASTEL	106-LOWLAND NUT NUSSBAUM NOYER	
----------------------------	--	---	-------------------------------	--	----------------------------	---	--------------------------------------	---

Body / Korpus / Corps

26-ALUMINUM SATINATO ALUMINIUM SATINATO ALUMINIUM SATINE	67-WHITE PASTEL WEIß PASTELL BLANC PASTEL							I - first group I – erste Gruppe I – première groupe de prix	
14-BEECH BUCHE HETRE	31-CANADIAN OAK KANADISCHE EICHE CHENE CANADIEN	34-CHESTNUT WENGE WENGE	39-POLAR BIRCH POLARBIEKERKE BOULEAU CLAIR	64-COCOA COCOA CACAO	106-LOWLAND NUT NUSSBAUM NOYER	II – second group II – zweite Gruppe II – deuxième groupe de prix			



STORAGES / SCHRÄNKE / RANGEMENTS



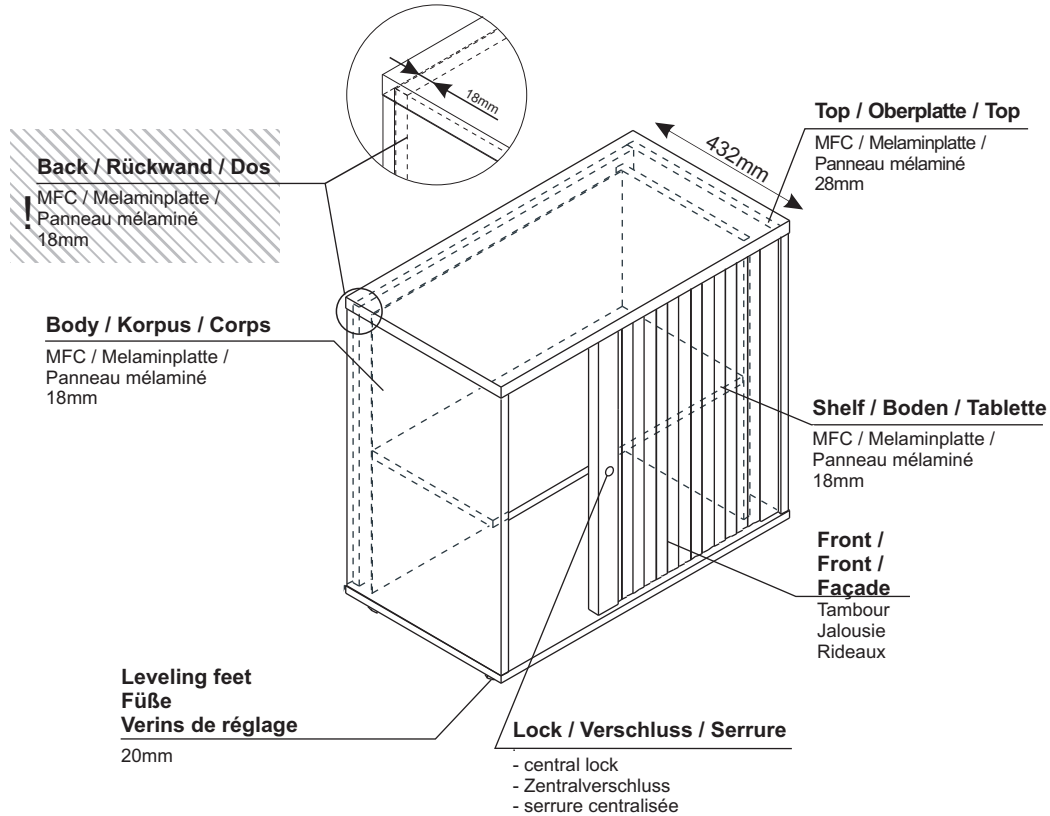
FINISHES / FARBEN / FINITIONS

Top, Bottom panel / Oberplatte, Sockel / Top, Plinthe

14-BEECH BÜCHE HETRE	26-ALUMINUM SATINATO ALUMINIUM SATINATO ALUMINIUM SATINE	31-CANADIAN OAK KANADISCHE EICHE CHENE CANADIEN	34-CHESTNUT WENGE WENGE	39-POLAR BIRCH POLARBIERKE BOULEAU CLAIR	64-COCOA COCOA CACAO	67-WHITE PASTEL WEIß PASTELL BLANC PASTEL	106-LOWLAND NUT NUSSBAUM NOYER		
Front / Front / Façade									
14-BEECH BÜCHE HETRE	26-ALUMINUM SATINATO ALUMINIUM SATINATO ALUMINIUM SATINE	31-CANADIAN OAK KANADISCHE EICHE CHENE CANADIEN	34-CHESTNUT WENGE WENGE	39-POLAR BIRCH POLARBIERKE BOULEAU CLAIR	64-COCOA COCOA CACAO	67-WHITE PASTEL WEIß PASTELL BLANC PASTEL	106-LOWLAND NUT NUSSBAUM NOYER		
26-ALUMINUM SATINATO ALUMINIUM SATINATO ALUMINIUM SATINE							67-WHITE PASTEL WEIß PASTELL BLANC PASTEL	I - first group I – erste Gruppe I – première groupe de prix	
14-BEECH BÜCHE HETRE	31-CANADIAN OAK KANADISCHE EICHE CHENE CANADIEN	34-CHESTNUT WENGE WENGE	39-POLAR BIRCH POLARBIERKE BOULEAU CLAIR	64-COCOA COCOA CACAO	106-LOWLAND NUT NUSSBAUM NOYER	II – second group II – zweite Gruppe II – deuxième groupe de prix			



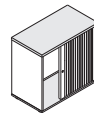
STORAGES / SCHRÄNKE / RANGEMENTS



FINISHES / FARBEN / FINITIONS

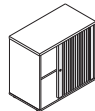
Top, Bottom panel / Oberplatte, Sockel / Top, Plinthe

08-BLACK SCHWARZ NOIR	14-BEECH BÜCHE HETRE	26-ALUMINIUM SATINATO ALUMINIUM SATINATO ALUMINIUM SATINE	31-CANADIAN OAK KANADISCHE EICHE CHENE CANADIEN	34-CHESTNUT WENGE WENGE
39-POLAR BIRCH POLARBIERKE BOULEAU CLAIR	64-COCOA COCOA CACAO	67-WHITE PASTEL WEIß PASTELL BLANC PASTEL	106-LOWLAND NUT NUSSBAUM NOYER	



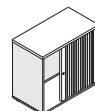
Tambour / Jalousie / Rideaux

30-WHITE WEIß BLANC	08-BLACK SCHWARZ NOIR	09-ALUMINIUM ALUMINIUM ALUMINIUM
---------------------------	-----------------------------	--



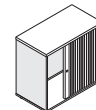
Body / Korpus / Corps

67-WHITE PASTEL WEIß PASTELL BLANC PASTEL	08-BLACK SCHWARZ NOIR	09-ALUMINIUM ALUMINIUM ALUMINIUM
---	-----------------------------	--



I - first group
I – erste Gruppe
I – première
groupe de prix

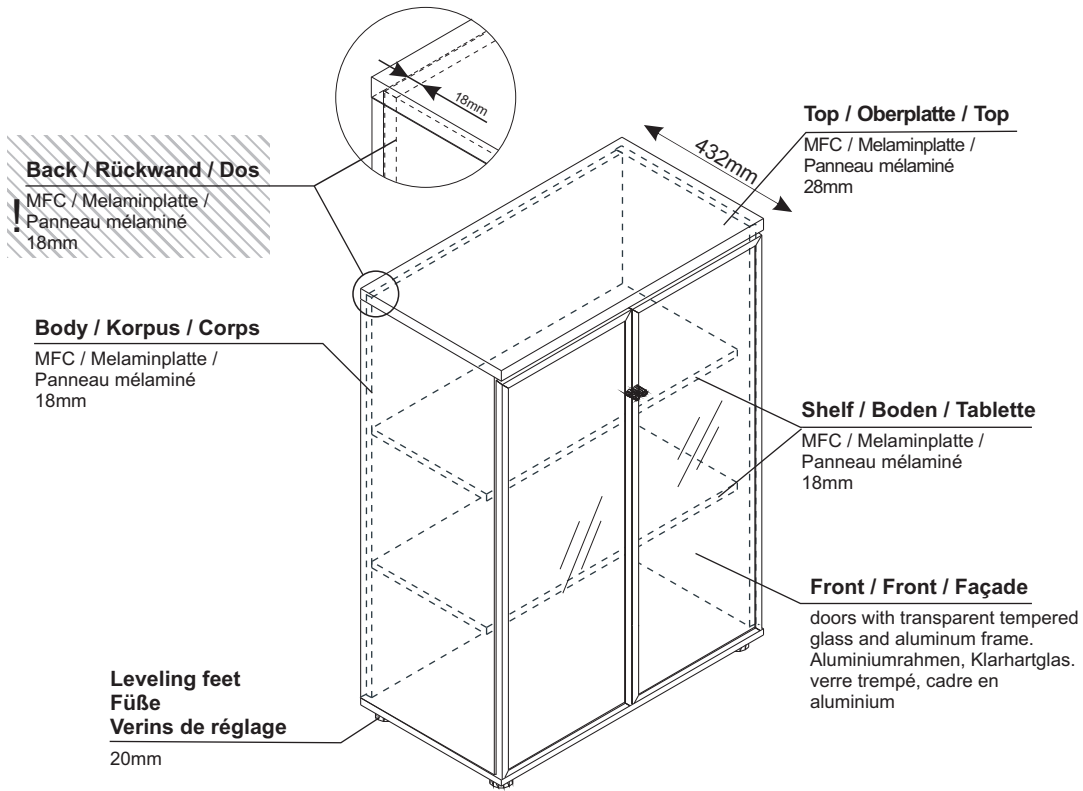
14-BEECH BÜCHE HETRE	31-CANADIAN OAK KANADISCHE EICHE CHENE CANADIEN	34-CHESTNUT WENGE WENGE	39-POLAR BIRCH POLARBIERKE BOULEAU CLAIR	64-COCOA COCOA CACAO	106-LOWLAND NUT NUSSBAUM NOYER
----------------------------	---	-------------------------------	--	----------------------------	--------------------------------------



II – second group
II – zweite Gruppe
II – deuxième
groupe de prix



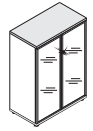
STORAGES / SCHRÄNKE / RANGEMENTS



FINISHES / FARBEN / FINITIONS

Top, Bottom panel / Oberplatte, Sockel / Top, Plinthe

- | | | | | | | | |
|----------------------------|--|---|-------------------------------|--|----------------------------|---|--------------------------------------|
| 14-BEECH
BUCHE
HETRE | 26-ALUMINUM SATINATO
ALUMINIUM SATINATO
ALUMINIUM SATINE | 31-CANADIAN OAK
KANADISCHE EICHE
CHENE CANADIEN | 34-CHESTNUT
WENGE
WENGE | 39-POLAR BIRCH
POLARBIERKE
BOULEAU CLAIR | 64-COCOA
COCOA
CACAO | 67-WHITE PASTEL
WEIß PASTELL
BLANC PASTEL | 106-LOWLAND NUT
NUSSBAUM
NOYER |
|----------------------------|--|---|-------------------------------|--|----------------------------|---|--------------------------------------|



Front / Front / Façade

09-ALUMINIUM
ALUMINIUM
ALUMINIUM

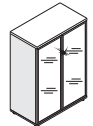


doors with transparent tempered glass and aluminum frame.
Aluminiumrahmen, Klarhartglas.
verre trempé, cadre en aluminium

Body / Korpus / Corps

26-ALUMINUM SATINATO 67-WHITE PASTEL
ALUMINIUM SATINATO WEIß PASTELL
ALUMINIUM SATINE BLANC PASTEL

I - first group
I - erste Gruppe
I - première
groupe de prix



14-BEECH
BUCHE
HETRE

31-CANADIAN OAK
KANADISCHE EICHE
CHENE CANADIEN

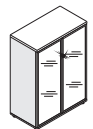
34-CHESTNUT
WENGE
WENGE

39-POLAR BIRCH
POLARBIERKE
BOULEAU CLAIR

64-COCOA
COCOA
CACAO

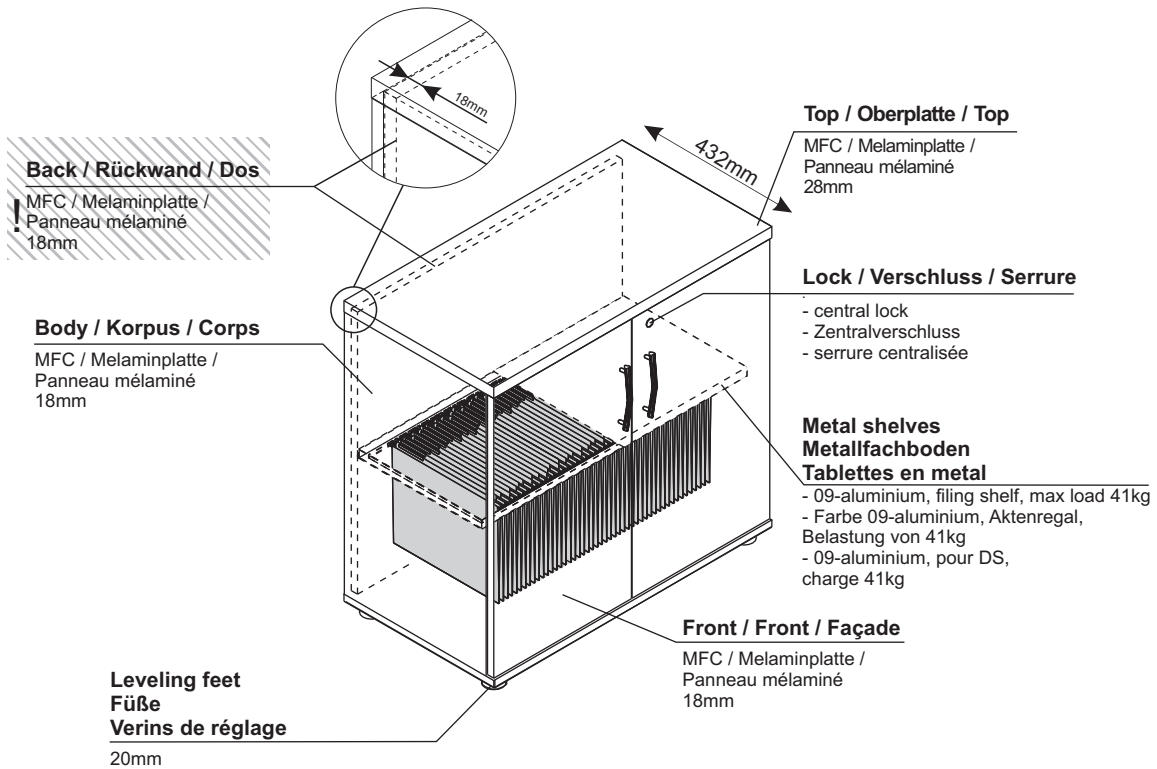
106-LOWLAND NUT
NUSSBAUM
NOYER

II - second group
II - zweite Gruppe
II - deuxième
groupe de prix

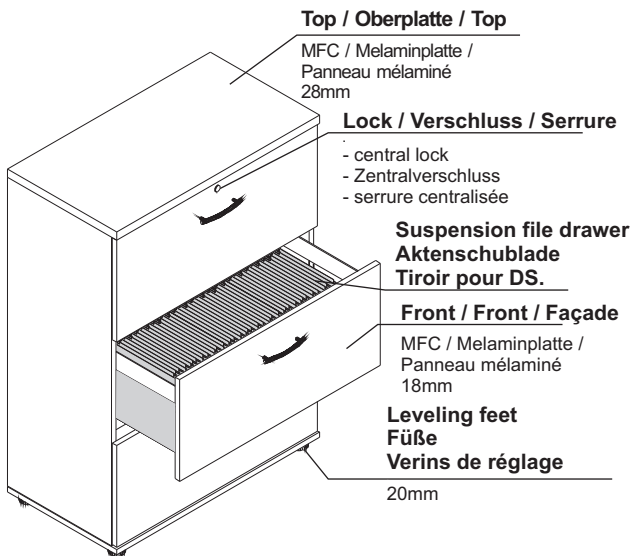




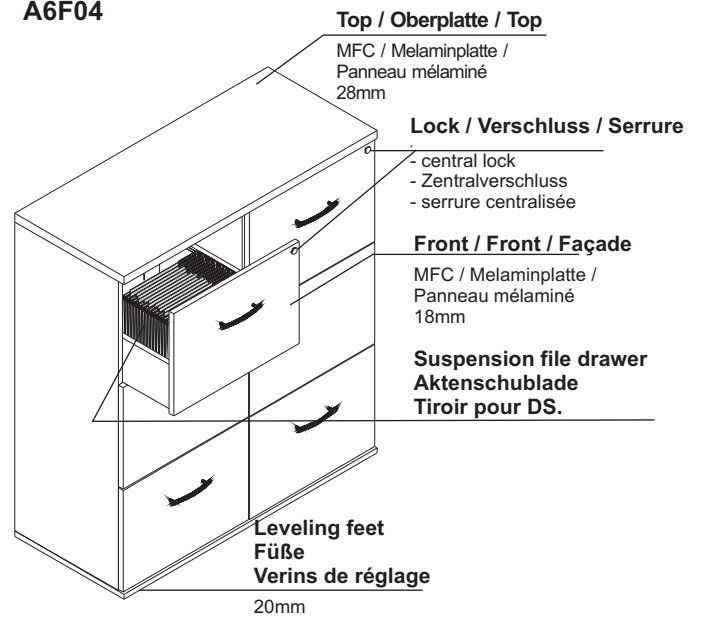
STANDARD - FILES STORAGE / HÄNGERREGISTERSCHRÄNKE / ARMOIRES DS



A3F04



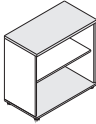
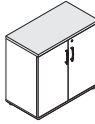
A6F04





FINISHES / FARBEN / FINITIONS

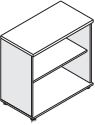
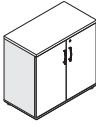
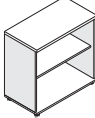
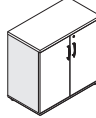
Top, Bottom panel / Oberplatte, Sockel / Top, Plinthe

14-BEECH BUCHE HETRE	26-ALUMINUM SATINATO ALUMINIUM SATINATO ALUMINIUM SATINE	31-CANADIAN OAK KANADISCHE EICHE CHENE CANADIEN	34-CHESTNUT WENGE WENGE		
39-POLAR BIRCH POLARBIERKE BOULEAU CLAIR	64-COCOA COCOA CACAO	67-WHITE PASTEL WEIß PASTELL BLANC PASTEL	106-LOWLAND NUT NUSSBAUM NOYER		

Front / Front / Façade

14-BEECH BUCHE HETRE	26-ALUMINUM SATINATO ALUMINIUM SATINATO ALUMINIUM SATINE	31-CANADIAN OAK KANADISCHE EICHE CHENE CANADIEN	34-CHESTNUT WENGE WENGE	39-POLAR BIRCH POLARBIERKE BOULEAU CLAIR	64-COCOA COCOA CACAO	67-WHITE PASTEL WEIß PASTELL BLANC PASTEL	106-LOWLAND NUT NUSSBAUM NOYER	
----------------------------	--	---	-------------------------------	--	----------------------------	---	--------------------------------------	---

Body / Korpus / Corps

26-ALUMINUM SATINATO ALUMINIUM SATINATO ALUMINIUM SATINE	67-WHITE PASTEL WEIß PASTELL BLANC PASTEL	I - first group / I – erste Gruppe / I – première groupe de prix							
14-BEECH BUCHE HETRE	31-CANADIAN OAK KANADISCHE EICHE CHENE CANADIEN	34-CHESTNUT WENGE WENGE	39-POLAR BIRCH POLARBIERKE BOULEAU CLAIR	64-COCOA COCOA CACAO	106-LOWLAND NUT NUSSBAUM NOYER	II – second group / II – zweite Gruppe / II – deuxième groupe de prix			

A3F04 , A6F04


Top, Bottom panel / Oberplatte, Sockel / Top, Plinthe

14-BEECH BUCHE HETRE	26-ALUMINUM SATINATO ALUMINIUM SATINATO ALUMINIUM SATINE	31-CANADIAN OAK KANADISCHE EICHE CHENE CANADIEN	34-CHESTNUT WENGE WENGE	39-POLAR BIRCH POLARBIERKE BOULEAU CLAIR	64-COCOA COCOA CACAO	67-WHITE PASTEL WEIß PASTELL BLANC PASTEL	106-LOWLAND NUT NUSSBAUM NOYER	
----------------------------	--	---	-------------------------------	--	----------------------------	---	--------------------------------------	---

Front / Front / Façade

14-BEECH BUCHE HETRE	26-ALUMINUM SATINATO ALUMINIUM SATINATO ALUMINIUM SATINE	31-CANADIAN OAK KANADISCHE EICHE CHENE CANADIEN	34-CHESTNUT WENGE WENGE	39-POLAR BIRCH POLARBIERKE BOULEAU CLAIR	64-COCOA COCOA CACAO	67-WHITE PASTEL WEIß PASTELL BLANC PASTEL	106-LOWLAND NUT NUSSBAUM NOYER	
----------------------------	--	---	-------------------------------	--	----------------------------	---	--------------------------------------	---

Body / Korpus / Corps

26-ALUMINUM SATINATO ALUMINIUM SATINATO ALUMINIUM SATINE	67-WHITE PASTEL WEIß PASTELL BLANC PASTEL	I - first group / I – erste Gruppe / I – première groupe de prix						
14-BEECH BUCHE HETRE	31-CANADIAN OAK KANADISCHE EICHE CHENE CANADIEN	34-CHESTNUT WENGE WENGE	39-POLAR BIRCH POLARBIERKE BOULEAU CLAIR	64-COCOA COCOA CACAO	106-LOWLAND NUT NUSSBAUM NOYER	II – second group / II – zweite Gruppe / II – deuxième groupe de prix		