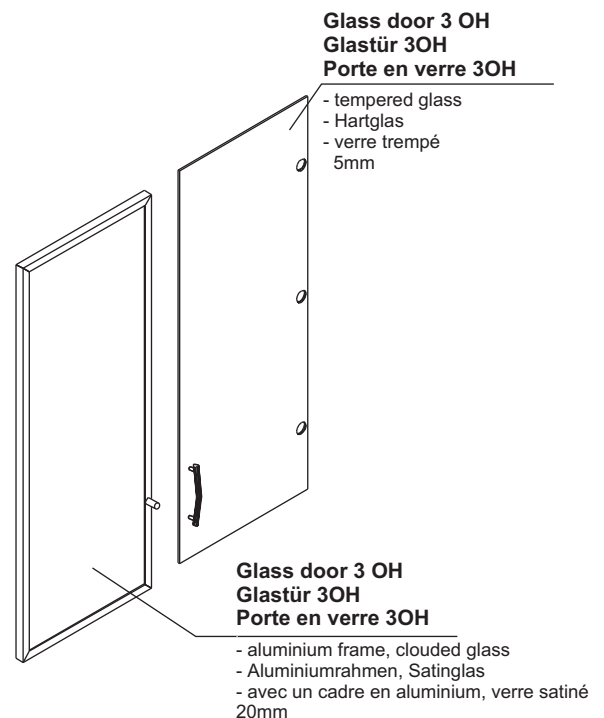
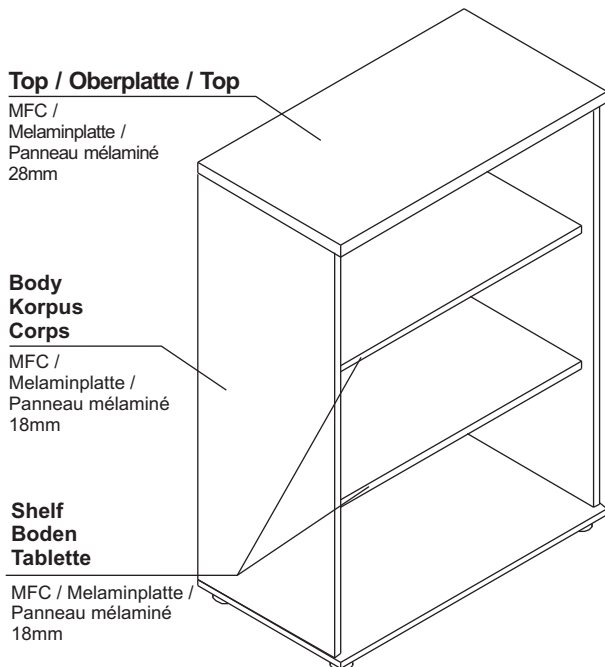
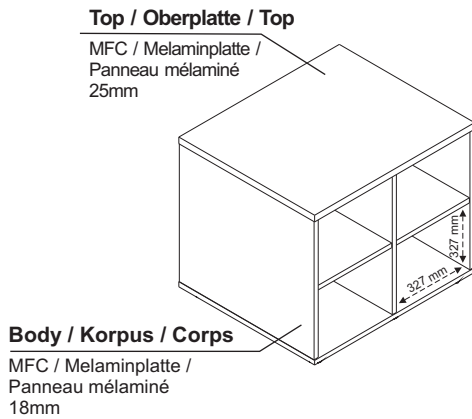
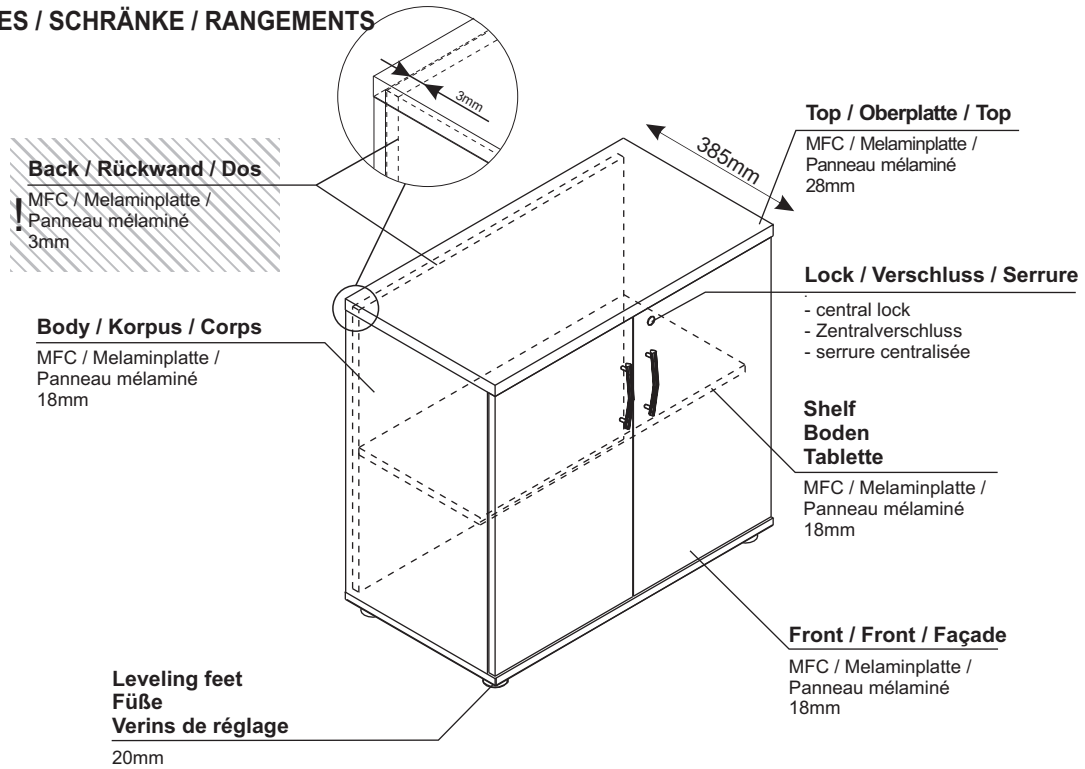




STORAGEES / SCHRÄNKE / RANGEMENTS





**FINISHES / FARBEN / FINITIONS**

Top, Bottom panel / Oberplatte, Sockel / Top, Plinthe

14-BEECH BUCHE HETRE	31-CANADIAN OAK KANADISCHE EICHE CHENE CANADIEN	34-CHESTNUT WENGE WENGE	39-POLAR BIRCH POLARBIERKE BOULEAU CLAIR	64-COCOA COCOA CACAO	67-WHITE PASTEL WEIß PASTELL BLANC PASTEL	106-LOWLAND NUT NUSSBAUM NOYER	
----------------------------	---	-------------------------------	--	----------------------------	---	--------------------------------------	--

Front / Front / Façade

14-BEECH BUCHE HETRE	31-CANADIAN OAK KANADISCHE EICHE CHENE CANADIEN	34-CHESTNUT WENGE WENGE	39-POLAR BIRCH POLARBIERKE BOULEAU CLAIR	64-COCOA COCOA CACAO	67-WHITE PASTEL WEIß PASTELL BLANC PASTEL	106-LOWLAND NUT NUSSBAUM NOYER	
----------------------------	---	-------------------------------	--	----------------------------	---	--------------------------------------	--

Body / Korpus / Corps

26-ALUMINIUM SATINATO ALUMINIUM SATINATO ALUMINIUM SATINE	67-WHITE PASTEL WEIß PASTELL BLANC PASTEL	
---	---	--

Cabinet for photocopier / Kopierer-Schrank / desserte à cases pour photocopieurs S85

26-ALUMINIUM SATINATO ALUMINIUM SATINATO ALUMINIUM SATINE	67-WHITE PASTEL WEIß PASTELL BLANC PASTEL	
---	---	--