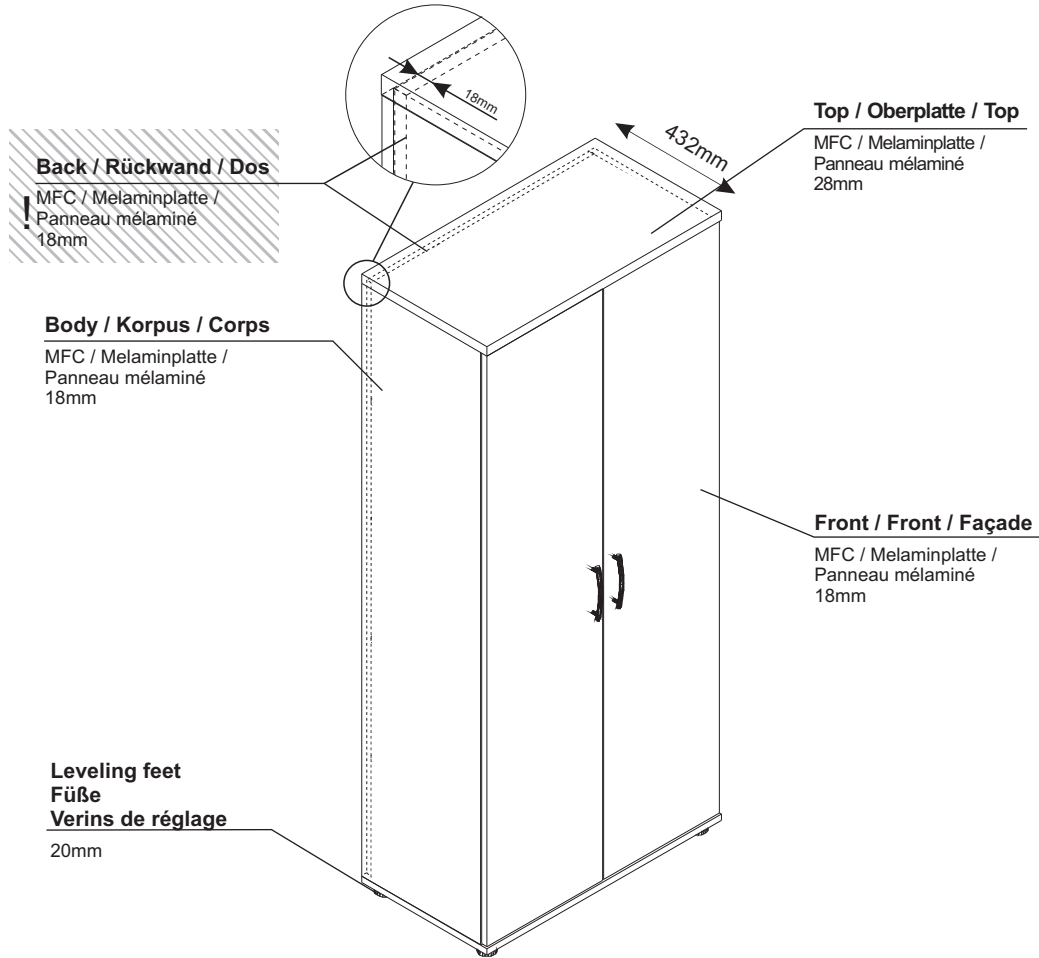
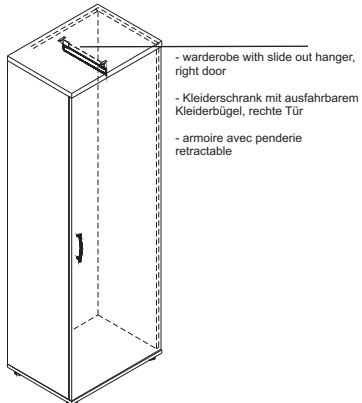




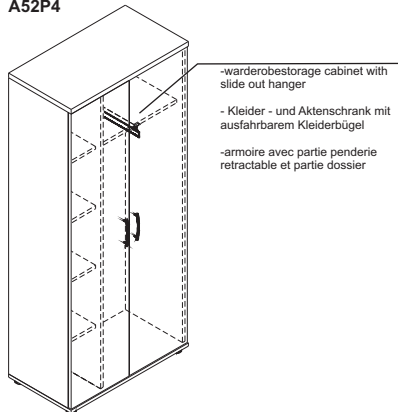
WARDROBES / KLEIDERSCHRANK / VESTIAIRES



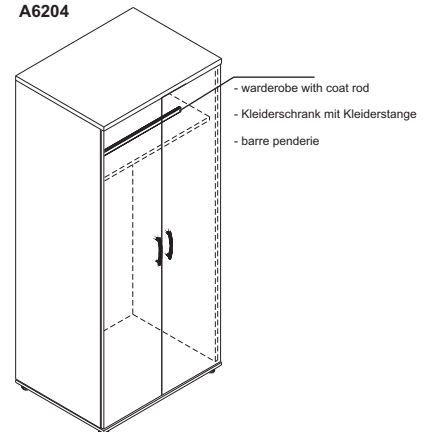
A57P3



A52P4



A6204





FINISHES / FARBEN / FINITIONS

Top, Bottom panel / Oberplatte, Sockel / Top, Plinthe

14-BEECH BUCHE HETRE	26-ALUMINUM SATINATO ALUMINIUM SATINATO ALUMINIUM SATINE	31-CANADIAN OAK KANADISCHE EICHE CHENE CANADIEN	34-CHESTNUT WENGE WENGE	39-POLAR BIRCH POLARBIERKE BOULEAU CLAIR	64-COCOA COCOA CACAO	67-WHITE PASTEL WEIß PASTELL BLANC PASTEL	106-LOWLAND NUT NUSSBAUM NOYER	
----------------------------	--	---	-------------------------------	--	----------------------------	---	--------------------------------------	--

Front / Front / Façade

14-BEECH BUCHE HETRE	26-ALUMINUM SATINATO ALUMINIUM SATINATO ALUMINIUM SATINE	31-CANADIAN OAK KANADISCHE EICHE CHENE CANADIEN	34-CHESTNUT WENGE WENGE	39-POLAR BIRCH POLARBIERKE BOULEAU CLAIR	64-COCOA COCOA CACAO	67-WHITE PASTEL WEIß PASTELL BLANC PASTEL	106-LOWLAND NUT NUSSBAUM NOYER	
----------------------------	--	---	-------------------------------	--	----------------------------	---	--------------------------------------	--

Body / Korpus / Corps

26-ALUMINUM SATINATO ALUMINIUM SATINATO ALUMINIUM SATINE	67-WHITE PASTEL WEIß PASTELL BLANC PASTEL						I - first group I – erste Gruppe I – première groupe de prix	
14-BEECH BUCHE HETRE	31-CANADIAN OAK KANADISCHE EICHE CHENE CANADIEN	34-CHESTNUT WENGE WENGE	39-POLAR BIRCH POLARBIERKE BOULEAU CLAIR	64-COCOA COCOA CACAO	106-LOWLAND NUT NUSSBAUM NOYER	II – second group II – zweite Gruppe II – deuxième groupe de prix		